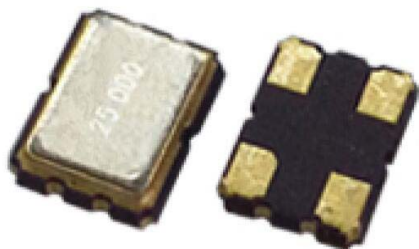


Crystal Oscillators

XO3225

Description:



- Stability up to $\pm 10 \times 10^{-6}$
- Tri-State Enable/Disable
- TTL/HCMOS Compatible
- Ultra-Miniature Package
- Tape and Reel
- SMT Applications
- PC's, Laptop, Palmtop Computers
- Portable Equipments
- PCMCIA Cards, Disc Drives

Performance Characteristics

| Parameter | | Condition | XO3225 | | |
|----------------------------------|-----------|----------------------------|---|------|------|
| Frequency Range | F_0 | | 32.768KHz~200.000MHz | | |
| Frequency Stability | | All Condition | See Next Table | | |
| Operating Temperature Range | T_{OPR} | | See Next Table | | |
| Supply Voltage (V) | V_{DD} | | +3.3 | +2.5 | +1.8 |
| Supply Current (mA) | I_{DD} | Max | 15 | 10 | 7 |
| | | | | | |
| | | | | | — |
| Output Load | | | CMOS 15pF | | |
| Stand-by Function (Tri-state) | | | N: Fixed-Frequency without Tri-State Y: Fixed-Frequency with Tri-State | | |
| Output Duty | | 50% Vcc Level | 45%~55% | | |
| Rise Time | T_r | | 3nS Max | | |
| | | 10% V_{DD} ~90% V_{DD} | | | |
| Fall Time | T_f | | 3nS Max | | |
| | | 90% V_{DD} ~10% V_{DD} | | | |
| Output Level | "0"Level | V_{OL} | 10% V_{DD} | | |
| | "1"Level | V_{OH} | 90% V_{DD} | | |
| Start-Up Time | T_s | | 2mS Max | | |
| Aging (First Year) | F_a | 25°C±3°C | $\pm 3 \times 10^{-6}$ | | |
| Storage Temperature Range | T_{STG} | | -55°C~+125°C | | |
| Package | | | SMD3.2 x 2.5 x 0.95 | | |

Frequency Stability Over Temperature Range

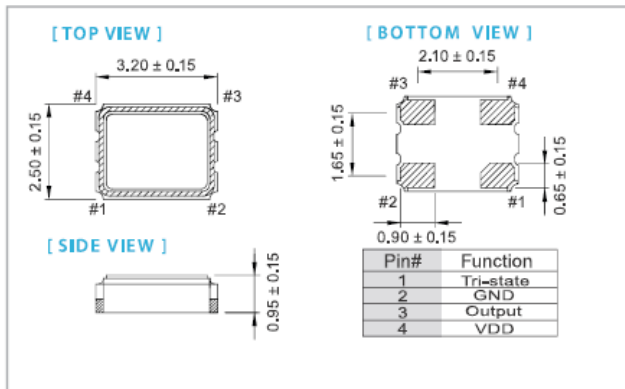
| Temperature Range | Frequency Stability | | | |
|-------------------|----------------------------|----------------------------|----------------------------|-----------------------------|
| | O: $\pm 10 \times 10^{-6}$ | R: $\pm 25 \times 10^{-6}$ | T: $\pm 50 \times 10^{-6}$ | U: $\pm 100 \times 10^{-6}$ |
| A: 0°C~+50°C | ● | ● | ● | ● |
| B: -10°C~+60°C | ● | ● | ● | ● |
| C: -20°C~+70°C | ● | ● | ● | ● |
| G: -40°C~+85°C | | ● | ● | ● |

Crystal Oscillators

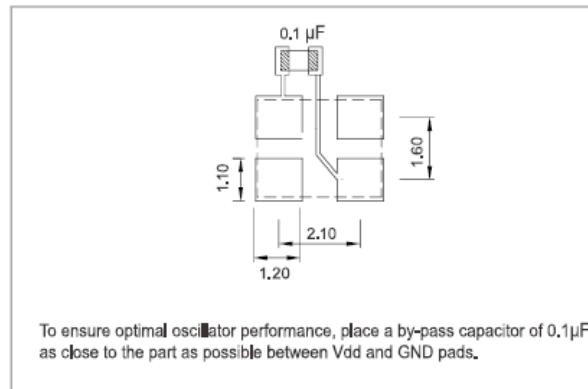
XO3225

Outline Drawing (mm)

DIMENSION (mm)



SOLDER PAD LAYOUT (mm)



Ordering Information

